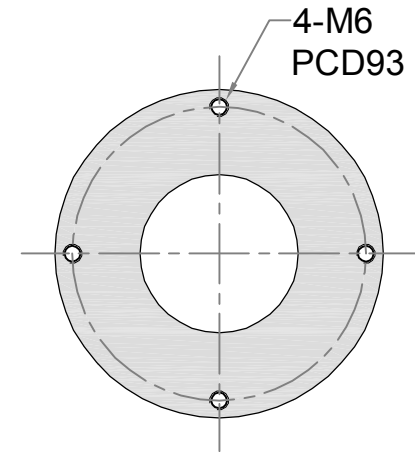
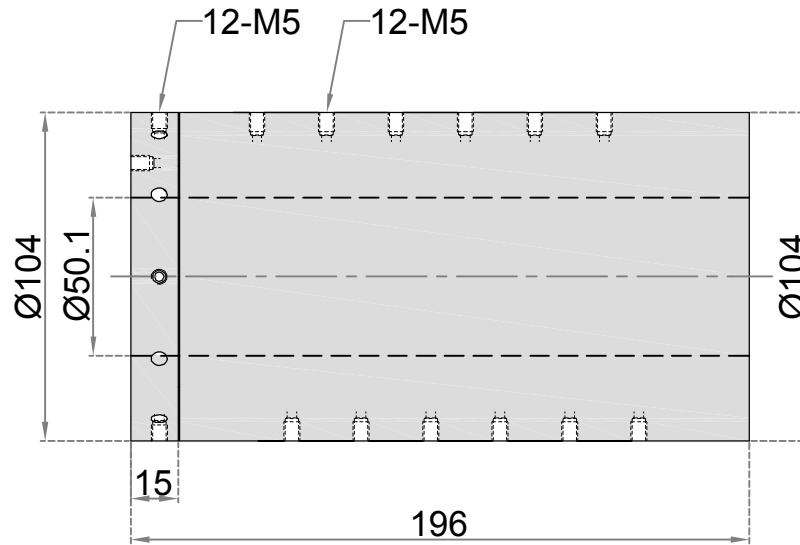
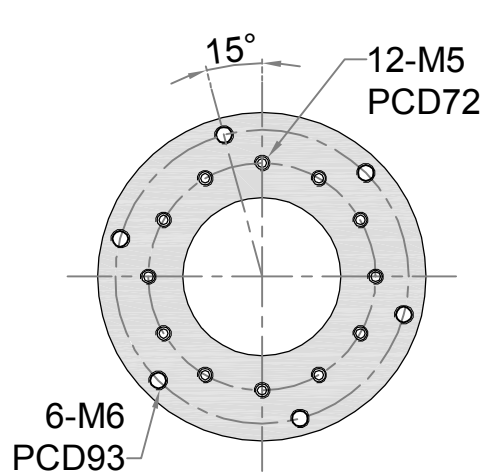


SHEET1

Rev:	Date:	By	Chk	Description
A.1	9/18/12	PJE	RAW	ECO 0045
A.2	10/06/12	JWW	PJE	ECO 0192



技术参数：
最高转速：50RPM（可定制500RPM）
最高温度：125°C
最大压力：10BAR
介质：气 真空

Drawn	JSM	6/2/03
Checked	PJE	13/43/05
Checked	PJE	11/36/08

TOLERANCE
EXCEPT AS NOTED
x.x ± .125
x.xx ± 0.15
x.xxx ± 0.005
ANGLES ± 0.5°

HIDNEY

深圳市欣德利机电设备有限公司

TEL:0755-27222664

CUSTOMER APPROVAL/DATE:

SHAFT MEL/PLTING:
CARBON STL
94-62 RC
BLK OXIDE

CUSTOMER:

STOCK

THIS DOCUMENT CONTAINS INFORMATION WHICH IS PROPRIETARY TO DYNAMIC SEALING TECHNOLOGIES.INS (HIDENY) NO REPRODUCTION OR PUBLICATION OF THIS DOCUMENT OR IT IS CONTENTS,IN SHOLE OR PART SHALL BE MADE WITHOUT THE WRITTEN CONSENT FROM HIDNEY

SHAFT MEL/PLTING:
CARBON STL
BLK OXIDE

P/N:

REV:

A 4

THIRD ANGLE PROJECTION:

