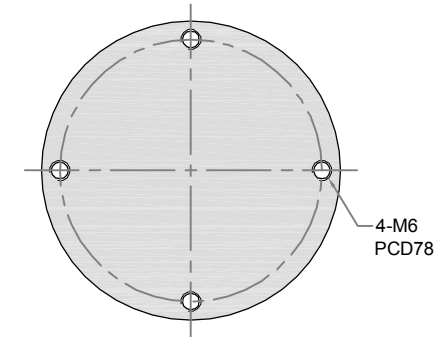
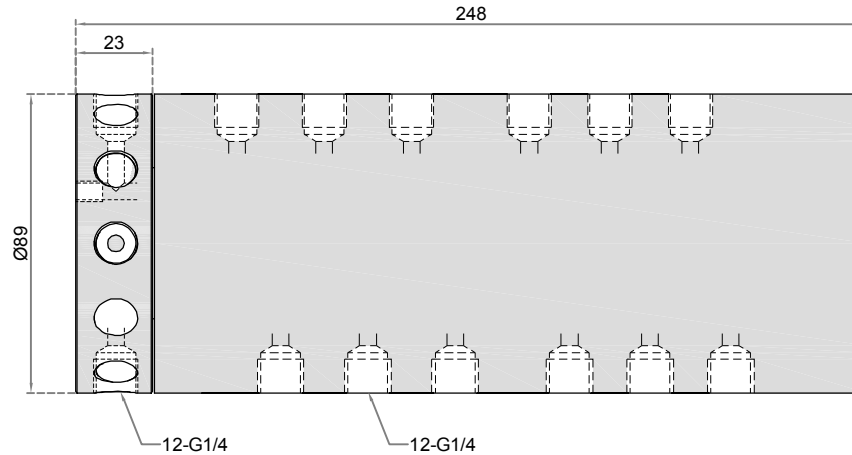
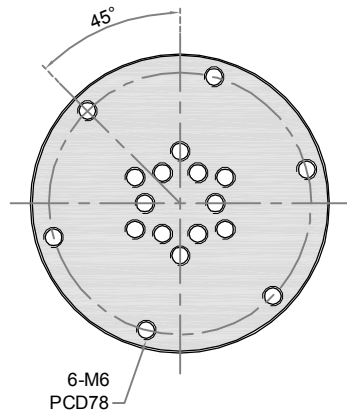


# SHEET1

Rev:	Date:	By	Chk	Description
A.1	9/18/12	PJE	RAW	ECO 0045
A.2	10/06/12	JWW	PJE	ECO 0192



技术参数：  
 最高转速：120RPM  
 最高温度：125°C  
 最大压力：10BAR  
 介质：气 真空

Drawn	JSM	6/2/03
Checked	PJE	13/43/05
Checked	PJE	11/36/08

TOLERANCE  
 EXCEPT AS NOTED  
 x.x ± 0.125  
 x.xx ± 0.15  
 x.xxx ± 0.005  
 ANGLES ± 0.5°

SHAFT MEL/PLTING:  
 CARBON STL  
 94-62 RC  
 BLK OXIDE

SHAFT MEL/PLTING:  
 CARBON STL  
 BLK OXIDE

CUSTOMER APPROVAL/DATE:

THIS DOCUMENT CONTAINS INFORMATION WHICH IS PROPRIETARY TO DYNAMIC SEALING TECHNOLOGIES.INS (HIDENEY) NO REPRODUCTION OR PUBLICATION OF THIS DOCUMENT OR IT IS CONTENTS,IN SHOLE OF PART SHALL BE MADE WITHOUT THE WRITTEN CONSENT FROM HIDENEY

# HIDENEY

深圳市欣德利机电设备有限公司

TEL:0755-27222664

CUSTOMER:

STOCK

P/N:

REV:

A 4

THIRD ANGLE PROJECTION:

