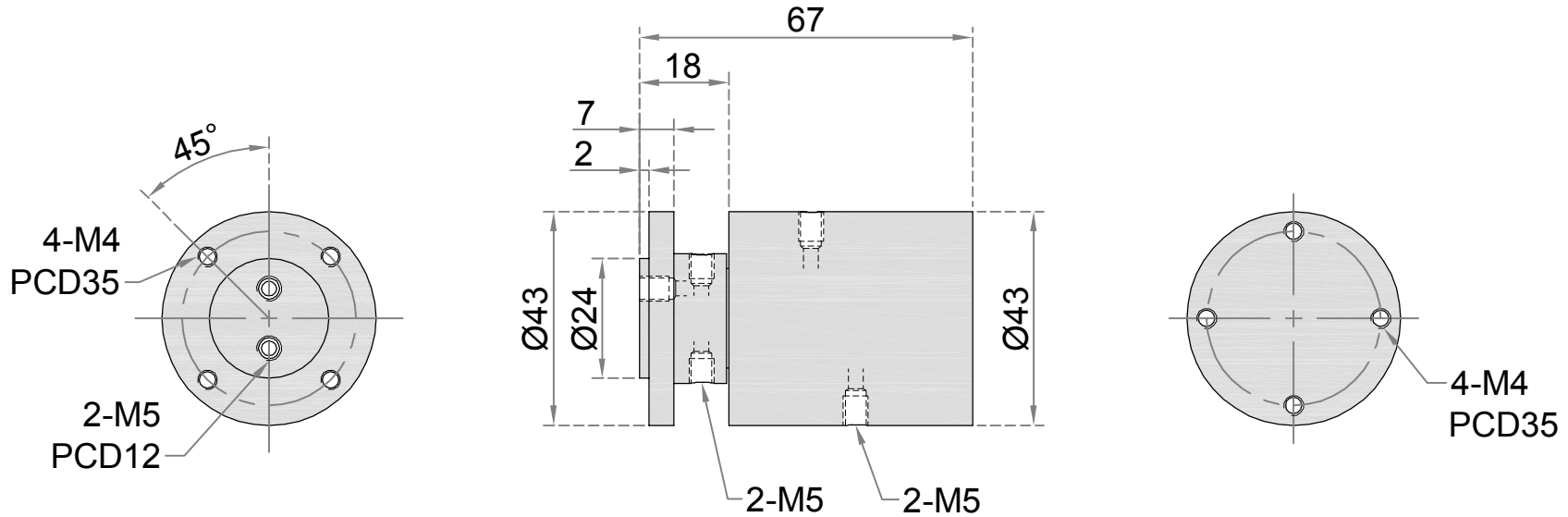


# SHEET1

| Rev: | Date:    | By  | Chk | Description |
|------|----------|-----|-----|-------------|
| A.1  | 9/18/12  | PJE | RAW | EC0 0045    |
| A.2  | 10/06/12 | JWW | PJE | EC0 0192    |



技术参数：  
 最高转速：400RPM  
 最高温度：125°C  
 最大压力：10BAR  
 介质：气 真空

|         |     |          |
|---------|-----|----------|
| Drawn   | JSM | 6/2/03   |
| Checked | PJE | 13/43/05 |
| Checked | PJE | 11/36/08 |

TOLERANCE  
 EXCEPT AS NOTED  
 x.x ±.125  
 x.xx ± 0.15  
 x.xxx ± 0.005  
 ANGLES ± 0.5°

# HIDNEY

深圳市欣德利机电设备有限公司

TEL:0755-27222664

CUSTOMER APPROVAL/DATE:

SHAFT MEL/PLTING:

CARBON STL  
 94-62 RC  
 BLK OXIDE

CUSTOMER:

STOCK

THIS DOCUMENT CONTAINS INFORMATION WHICH IS PROPRIETARY  
 TO DYNAMIC SEALING TECHNOLOGIES.INS (HIDENY) NO REPRODUCTION  
 OR PUBLICATION OF THIS DOCUMENT OR IT IS CONTENTS,IN SHOLE OR  
 PART SHALL BE MADE WITHOUT THE WRITTEN CONSENT FROM HIDNEY

SHAFT MEL/PLTING:

CARBON STL  
 BLK OXIDE

P/N:

REV:

A 4

THIRD ANGLE PROJECTION:

