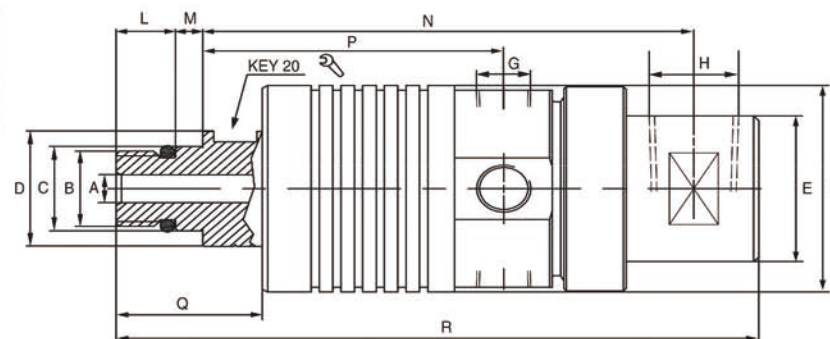
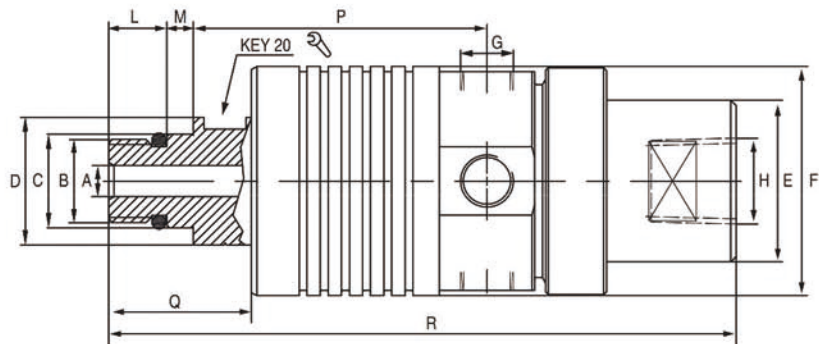


SHEET1

Rev:	Date:	By	Chk	Description
A.1	9/18/12	PJE	RAW	EC0 0045
A.2	10/06/12	JWW	PJE	EC0 0192



Type	A	B	C	D	E	F	G	H	L	M	P	Q	R	Weight (Kg)
GF5009028410	6	M16 X 1,5 LH	18g6	24,5	31	44	1/8" BSP	3/8" BSP	11	5	55,5	27	118,1	0,50
GF5009028411	6	5/8" - UNF LH	16,650/16,645	24,5	31	44	1/8" BSP	3/8" NPT	14	5	55,5	30	121,1	0,50

Type	A	B	C	D	E	F	G	H	L	M	N	P	Q	R	Weight (Kg)
GFSA009028415	6	M16 X 1,5 LH	18g6	24,5	31	44	1/8" BSP	3/8" BSP	11	5	90,1	55,5	27	118,1	0,50
GFSA009028416	6	5/8" - UNF LH	16,650/16,645	24,5	31	44	1/8" BSP	3/8" NPT	14	5	90,1	55,5	30	121,1	0,50

Drawn	JSM	6/2/03
Checked	PJE	13/43/05
Checked	PJE	11/36/08

TOLERANCE
EXCEPT AS NOTED
x.x ± 0.125
x.xx ± 0.15
x.xxx ± 0.005
ANGLES ± 0.5°

HIDNEY

深圳市欣德利机电设备有限公司

TEL:0755-27222664

CUSTOMER APPROVAL/DATE:

SHAFT MEL/PLTING:
CARBON STL
94-62 RC
BLK OXIDE

CUSTOMER:
STOCK

THIS DOCUMENT CONTAINS INFORMATION WHICH IS PROPRIETARY TO DYNAMIC SEALING TECHNOLOGIES.INS (HIDENY) NO REPRODUCTION OR PUBLICATION OF THIS DOCUMENT OR IT IS CONTENTS,IN SHOLE OR PART SHALL BE MADE WITHOUT THE WRITTEN CONSENT FROM HIDNEY

SHAFT MEL/PLTING:
CARBON STL
BLK OXIDE

P/N:
REV:
A 4

技术参数:
介质: 气
最高转速: 10000RPM
最高温度: 90° C
最大压力: 8BAR

介质: 冷却液
最高转速: 20000RPM
最高温度: 90° C
最大压力: 80BAR

THIRD ANGLE PROJECTION:

