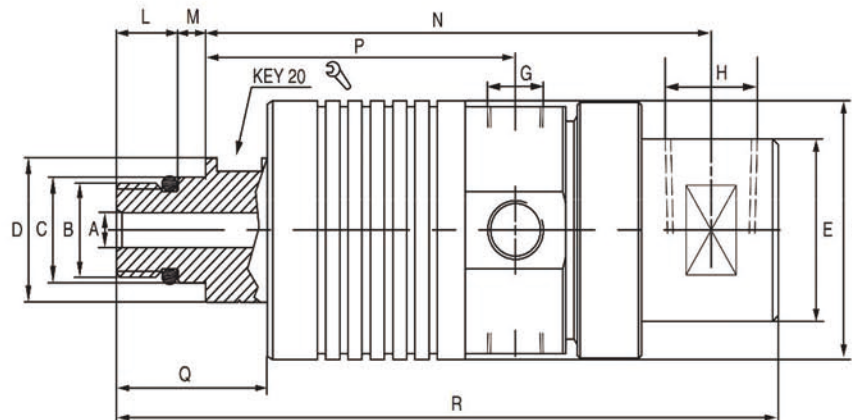
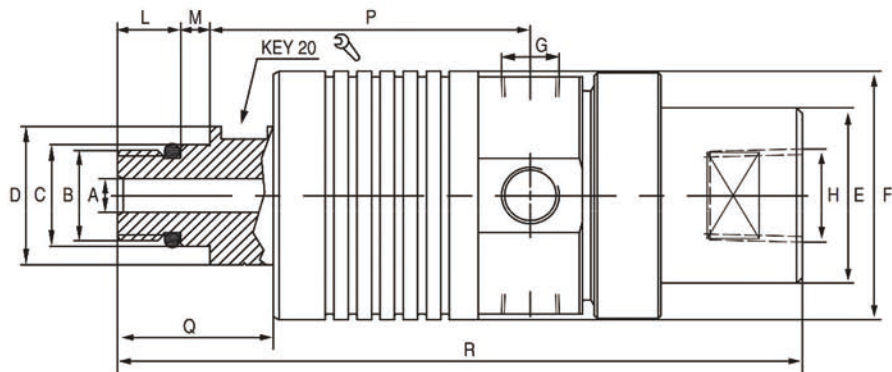


SHEET1

Rev:	Date:	By	Chk	Description
A.1	9/18/12	PJE	RAW	EC0 0045
A.2	10/06/12	JWW	PJE	EC0 0192



Type	A	B	C	D	E	F	G	H	L	M	P	Q	R	Weight (Kg)
GFL009028400	6	M16 X 1,5 LH	18g6	24,5	31	44	1/8" BSP	3/8" BSP	11	5	55,5	27	118,6	0,50
GFL009028401	6	5/8" - UNF LH	16,650/16,645	24,5	31	44	1/8" BSP	3/8" NPT	14	5	55,5	30	121,6	0,50
GFL009028402	6	M10 X 1,0 LH	11h6	24,5	31	44	1/8" BSP	3/8" BSP	13	3	55,5	27	118,6	0,50

Type	A	B	C	D	E	F	G	H	L	M	N	P	Q	R	Weight (Kg)
GFLA009028405	6	M16 X 1,5 LH	18g6	24,5	31	44	1/8" BSP	3/8" BSP	11	5	90,6	55,5	27	118,6	0,50
GFLA009028406	6	5/8" - UNF LH	16,650/16,645	24,5	31	44	1/8" BSP	3/8" NPT	14	5	90,6	55,5	30	121,6	0,50
GFLA009028408	6	M16 X 1,5 RH	18g6	24,5	31	44	1/8" BSP	3/8" BSP	11	5	90,6	55,0	27	118,6	0,50

技术参数:
 介质: 气
 最高转速: 10000RPM
 最高温度: 90° C
 最大压力: 8BAR

介质: 冷却液
 最高转速: 15000RPM
 最高温度: 90° C
 最大压力: 80BAR

Drawn	JSM	6/2/03
Checked	PJE	13/43/05
Checked	PJE	11/36/08

TOLERANCE
 EXCEPT AS NOTED
 x.x ± .125
 x.xx ± 0.15
 x.xxx ± 0.005
 ANGLES ± 0.5°

HIDNEY

深圳市欣德利机电设备有限公司

TEL:0755-27222664

CUSTOMER:

STOCK

P/N:

REV:

A 4

CUSTOMER APPROVAL/DATE:

THIS DOCUMENT CONTAINS INFORMATION WHICH IS PROPRIETARY TO DYNAMIC SEALING TECHNOLOGIES.INS (HIDENY) NO REPRODUCTION OR PUBLICATION OF THIS DOCUMENT OR IT IS CONTENTS,IN SHOLE OR PART SHALL BE MADE WITHOUT THE WRITTEN CONSENT FROM HIDNEY

SHAFT MEL/PLTING:

CARBON STL
 94-62 RC
 BLK OXIDE

SHAFT MEL/PLTING:

CARBON STL
 BLK OXIDE

THIRD ANGLE PROJECTION:

