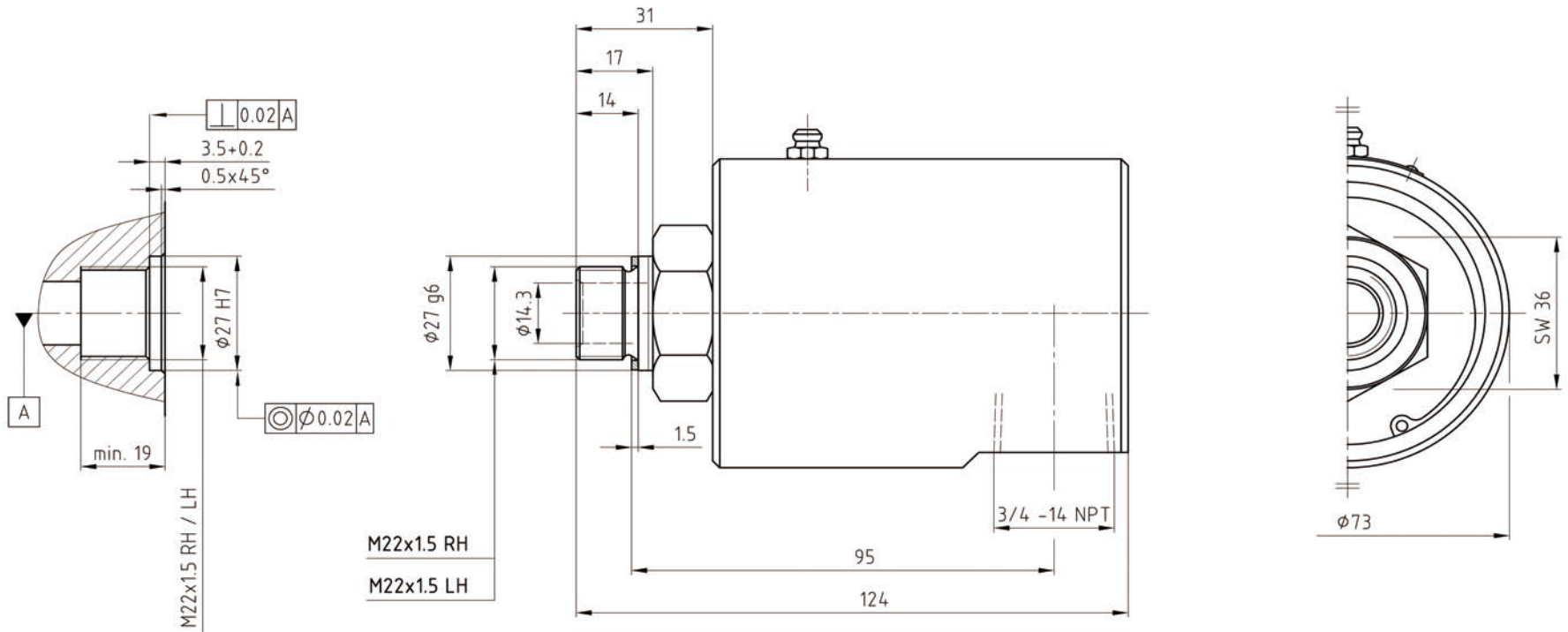


# SHEET1

Rev:	Date:	By	Chk	Description
A.1	9/18/12	PJE	RAW	EC0 0045
A.2	10/06/12	JWW	PJE	EC0 0192



技术参数：  
 最高转速：3500RPM  
 最高温度：125°C  
 工装压力：69 BAR  
 介质：水 油

Drawn	JSM	6/2/03
Checked	PJE	13/43/05
Checked	PJE	11/36/08

TOLERANCE EXCEPT AS NOTED	
x.x	±.125
x.xx	± 0.15
x.xxx	± 0.005
ANGLES ± 0.5°	
SHAFT MEL/PLTING:	
CARBON STL	
94-62	RC
BLK	OXIDE
SHAFT MEL/PLTING:	
CARBON STL	
BLK	OXIDE

**HIDNEY**  
 深圳市欣德利机电设备有限公司  
 TEL:0755-27222664

CUSTOMER APPROVAL/DATE:

THIS DOCUMENT CONTAINS INFORMATION WHICH IS PROPRIETARY TO DYNAMIC SEALING TECHNOLOGIES.INS (HIDENY) NO REPRODUCTION OR PUBLICATION OF THIS DOCUMENT OR IT IS CONTENTS,IN SHOLE OR PART SHALL BE MADE WITHOUT THE WRITTEN CONSENT FROM HIDNEY

CUSTOMER:		STOCK	
P/N:		REV:	A 4

